

MTN29 - MTN39

MONOLOCK **MATTERHORN** ALUMINIUM TOP CASE

MTN39

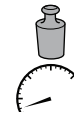
MTN29



INFO MATTERHORN 29 LT



INFO MATTERHORN 39 LT

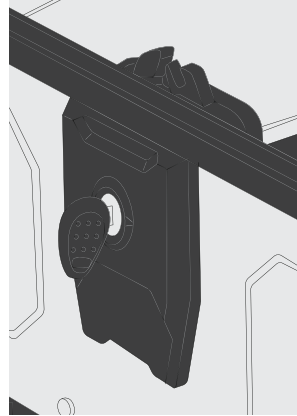
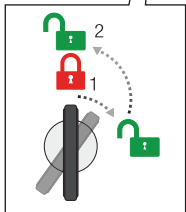
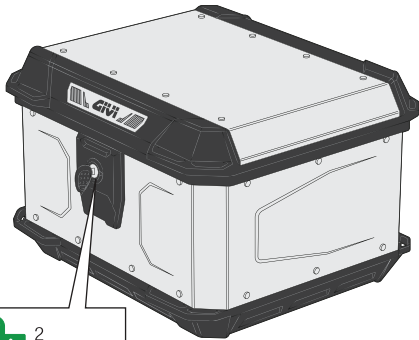


5 Kg MAX

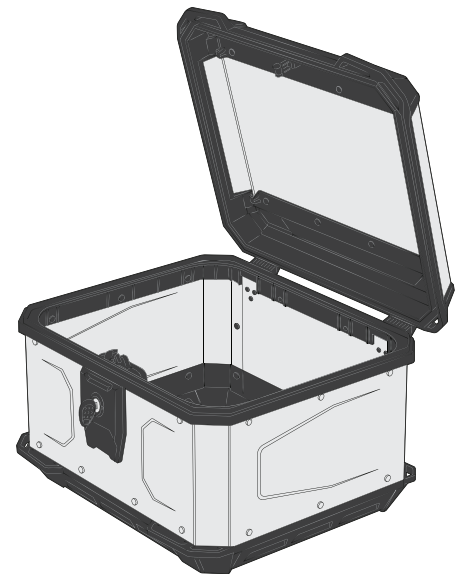


110 Km/h MAX

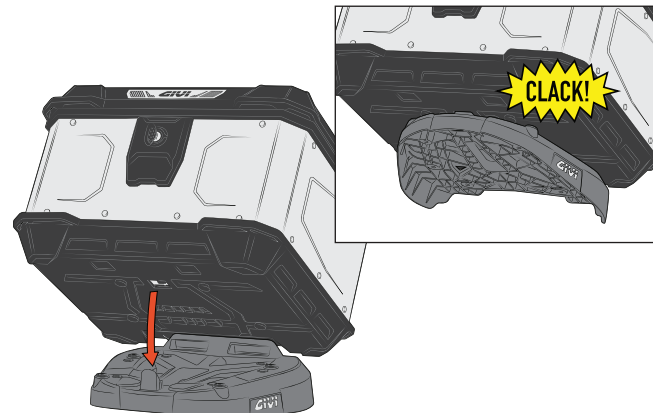
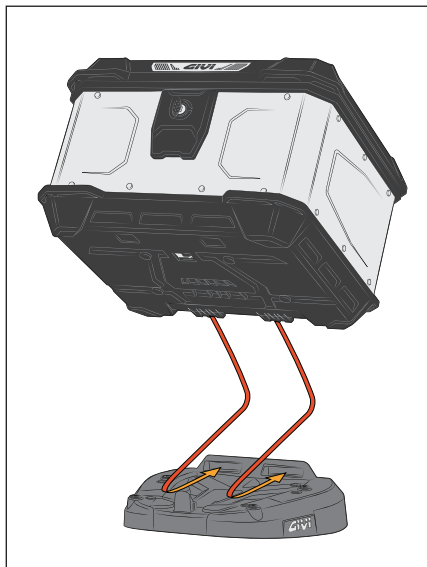
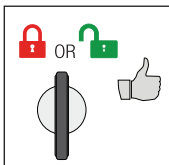
LID OPENING



The key automatically returns to the vertical position. ²



FASTENING



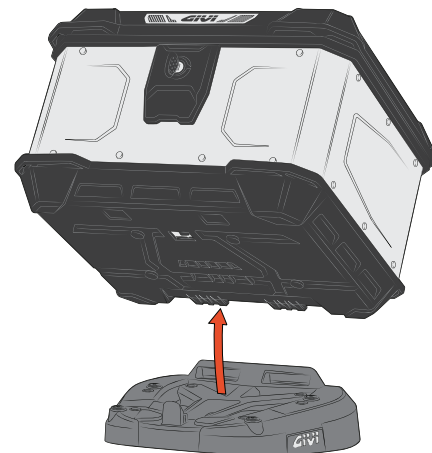
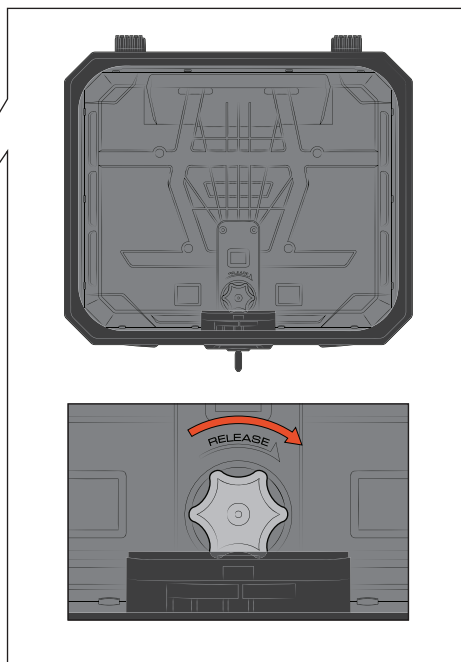
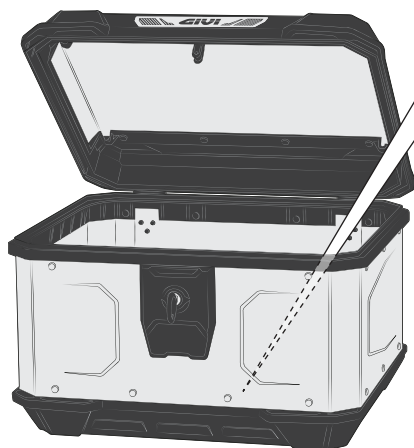
! WARNING

- To verify that the top case is correctly fastened, ensure that it remains in place when a light rotational force is applied.

MTN29 - MTN39

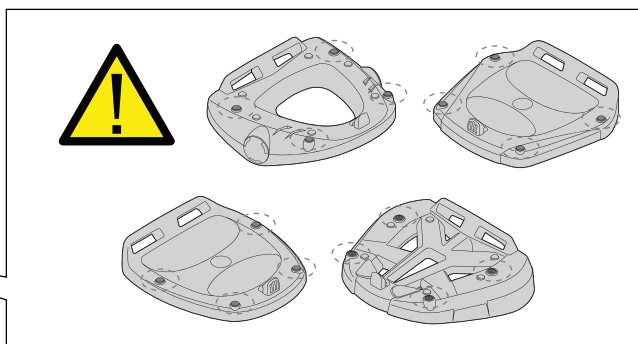
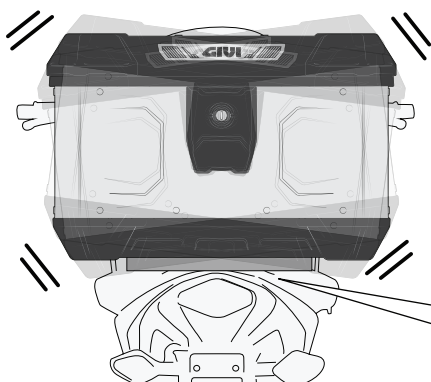
MONOLOCK MATTERHORN ALUMINIUM TOP CASE

DETACHING

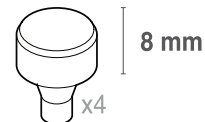


Turn the internal knob clockwise while lifting the top case.

PLATE MAINTENANCE AND SEAL CHECK



Z821



Z822



To avoid compromising the proper functionality of the top case, we recommend checking that the seals provided are seated correctly and are not worn.

- If the seals are worn, the top case does not sit correctly or there are unusual vibrations, it will be necessary to replace the seals and purchase the corresponding replacement parts.
- Find the correct replacement part code by comparing the seals with the drawings in the table to the side.
- Be sure to always use the correct seals. Contact customer service if you have any questions.

THE PRODUCT YOU HAVE JUST PURCHASED IS THE RESULT OF A CRAFT PRODUCTION : THE CASES ARE ASSEMBLED AND INDIVIDUALLY TESTED BY QUALIFIED PERSONNEL. THE PRESENCE OF SMALL MARKS OR UNEVENNESS ON THE SURFACE OF VARIOUS ALUMINIUM PANELS SHOULD BE CONSIDERED NORMAL.